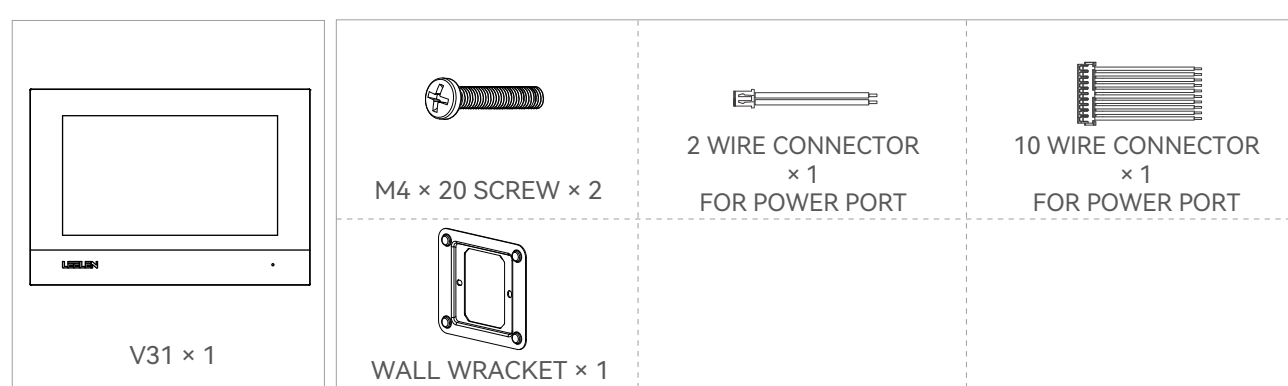
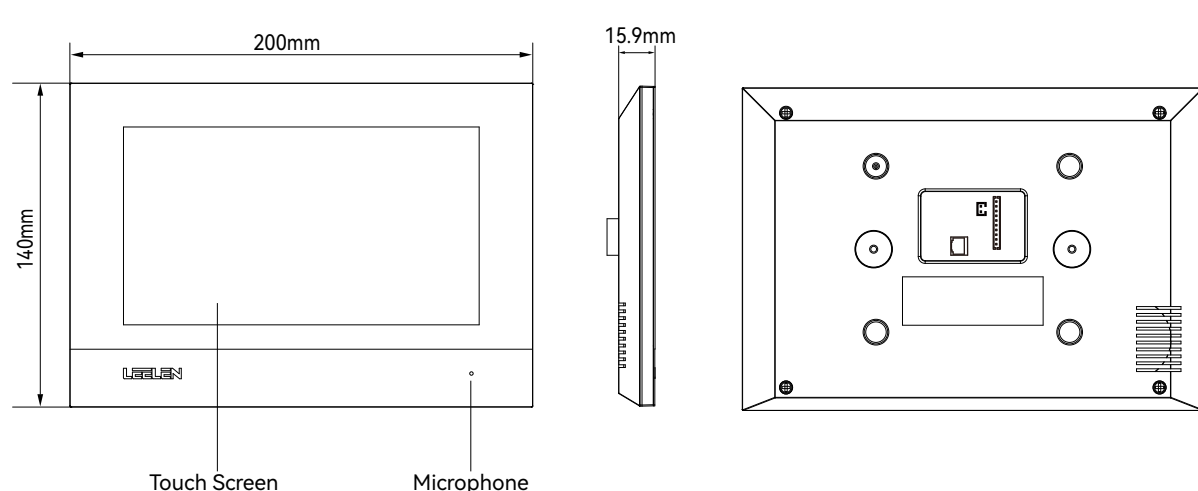


Unpacking

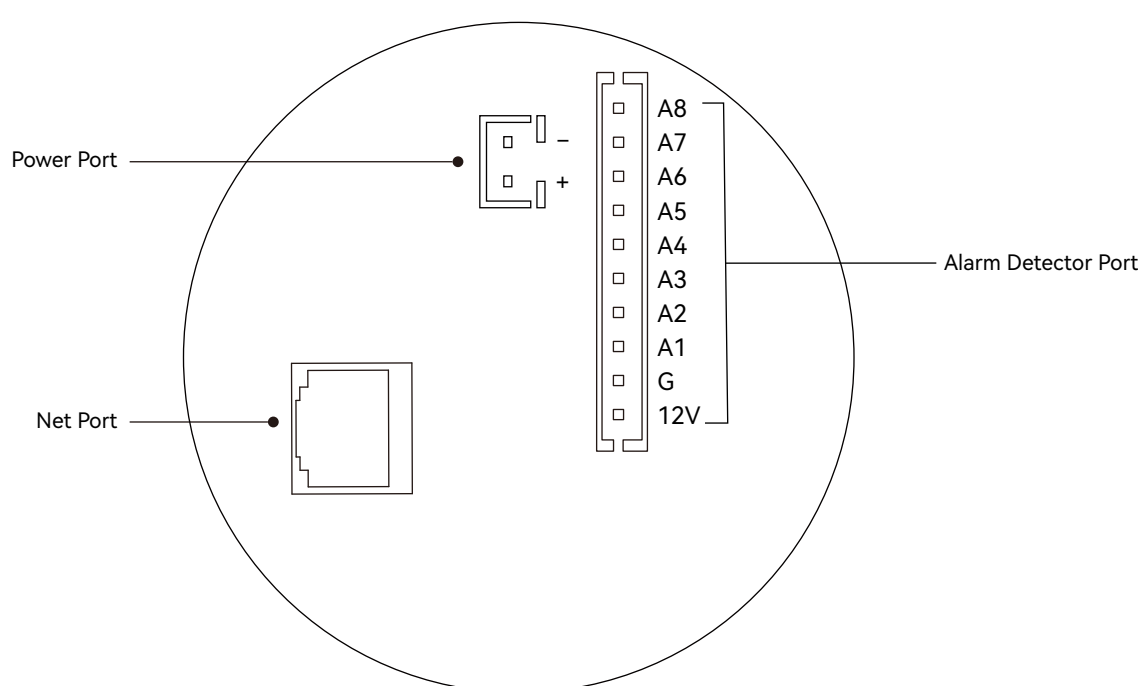
Please make sure the main package and the accessory package contain the following items :



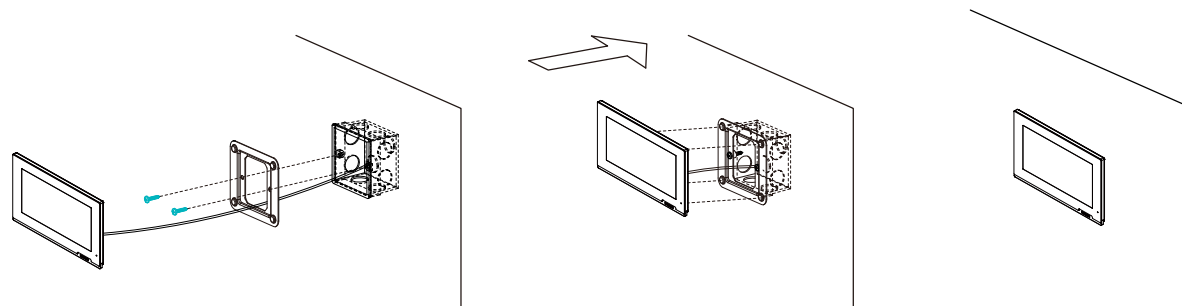
Product overview



Terminal and Wiring



Installation



- Fix the wall mounting wracket on the junction box using screws.
- Fit the device onto the wall mounting wracket after wiring is completed.
- Device installation completed.

Support Model Type

Model	Description
EH-IS-V31-EN1	Black+Silvery, 7-inch Touch screen
EH-IS-V31-EN3	Black, 7-inch Touch screen
EH-IS-V31-EN6	White, 7-inch Touch screen

Configuration

- Press the icon to enter the Settings function.
- Press the Engineer icon with password 999999 to enter the engineer setting function, and press Address item to set.
 - IP Address Set: Set the IP Address data.
 - Subnet Mask Set: Set the Subnet Mask data.
 - Router Set: Set the Router data.
 - Device NO. Set: Set the device number data.

Notice: The user also can enter the Web configuration of the device with <http://IP:8000/> to set the parameters. (The default username/password: admin/999999)

Operation

Make a call:

Input the room number, press dial button to make a call.

Receive a call:

Press answer button on the ring interface to pick up the incoming call.

Message:

Press message button on the ring interface to leave a voice message when call other Indoor Station.

Unlock by a call:

Press unlock key on the ring interface or the intercom interface to open the door.

Notice Information

Information contained in this document is believed to be accurate and reliable at the time of printing. The document is subject to change without notice, any update to this document can be viewed on Leelen's website.

<https://www.global-leelen.com/>
Copyright © 2022 Xiamen Leelen Technology Co.,Ltd.
All Rights Reserved.